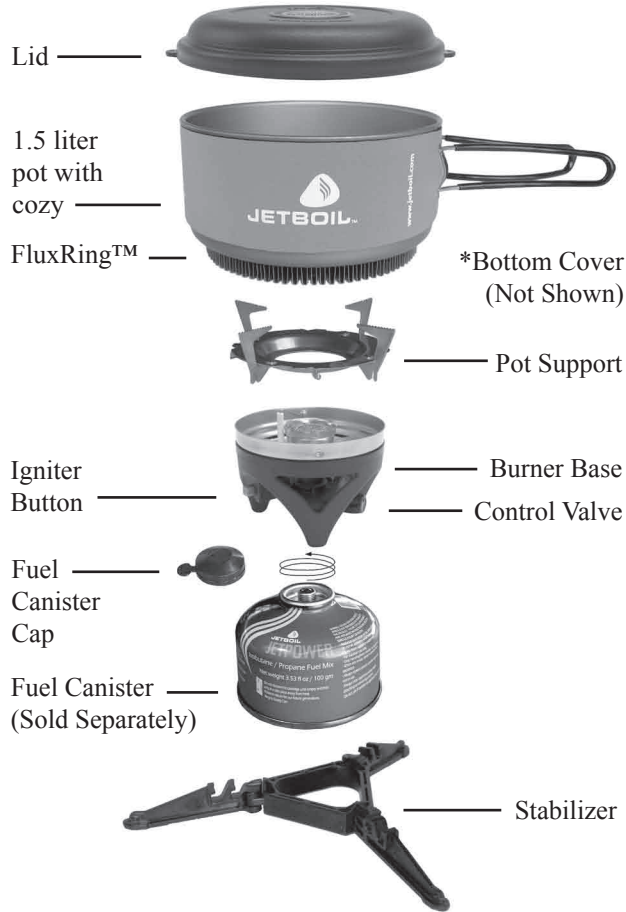




JETBOIL® Group Cooking System (GCS)



YOU MUST FOLLOW THESE INSTRUCTIONS TO PREVENT DEATH OR SERIOUS INJURY TO YOURSELF AND OTHERS:

Note: If you purchased a 1.5 liter pot alone, for use with an existing Jetboil Personal Cooking System (PCS), you must use the Jetboil pot support and stabilizer accessory in order to safely mount the pot on your burner base. Together, these components comprise the Jetboil GCS.

	DANGER
Fuel canisters can explode. Keep them away from heat, direct sunlight, and sources of ignition.	

	DANGER
Carbon Monoxide inhalation can cause death or brain damage. Carbon Monoxide (CO) is produced when fuel burns. Use Jetboil GCS only OUTDOORS, never in tents, vehicles, indoors, or other places without fresh air.	

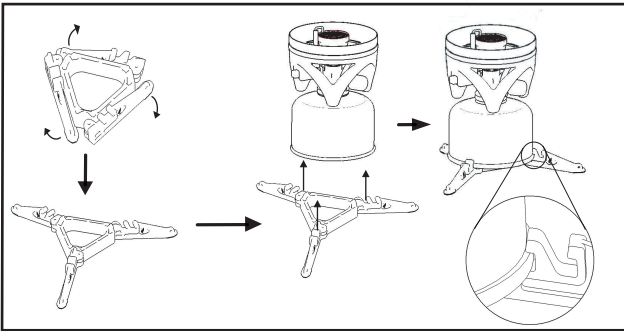
JETBOIL GCS SETUP & IGNITION

1. Remove fuel canister, burner base, stabilizer, and pot support from 1.5 liter pot. Make certain control valve on burner base is closed and check that O-ring is clean and not cracked, cut, or broken. **Do not use Jetboil GCS if O-ring is damaged. Fuel will leak and catch fire. (Please see O-ring picture on back).**

Use Jetboil Jetpower fuel canisters only. Jetboil cannot recommend the use of other manufacturers' fuel canisters because full compatibility with the GCS is not guaranteed.

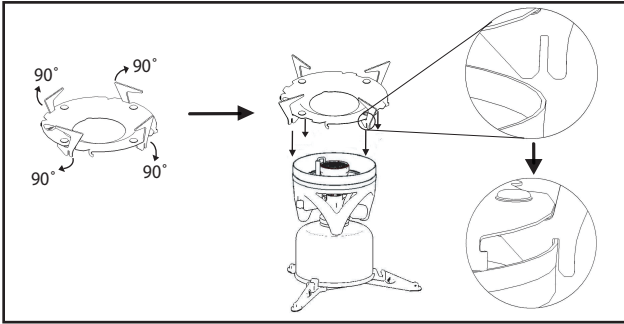
2. Remove fuel canister cap and store. While holding canister upright, screw it securely to the burner base as shown at left. Do not overtighten.

3. Unfold stabilizer into its open position as shown below. Securely fasten the three stabilizer clips to bottom ring of fuel canister. Confirm that fuel canister is centered on stabilizer, and that all three clips are engaged.



4. Set burner base, with attached fuel canister and stabilizer, on a firm, level surface. **Do not cook on an already hot surface. A surface is too hot if you cannot keep your palm on it for more than 5 seconds.**

5. Unfold the pot support and place it on top of the burner base, as shown below. Confirm that all four attachments are fully engaged, and that the support is fully seated.



6. Turn control valve 1/2 turn counterclockwise to open, and **immediately** press igniter button repeatedly until flame is observed. Use control valve to adjust flame to low-to-medium setting.

	WARNING
If you smell gas before control valve is opened, do not attempt to ignite burner. It can cause an explosion or fire.	
Ensure 1) control valve is closed (turn clockwise), 2) fuel canister is screwed on tightly.	
If smell of gas persists, disconnect fuel canister and refer to the troubleshooting section.	

	WARNING
You can be seriously burned. Ignite burner before using 1.5 liter pot.	
Keep burner on a level surface at arm's length during ignition.	
Flame can erupt during ignition.	

	WARNING
You can be seriously burned. Do not move, lift, or tilt Jetboil Burner while it is lit.	
Fuel can spray and cause flare-ups.	

COOKING & HEATING

1. Remove plastic cover from bottom of 1.5 liter pot by pulling on the tab opposite the handles. The cover will swing off of the hinge beneath the handles.



2. Remove lid and add liquid or liquid food to the pot.

	WARNING
You can be seriously burned. Remove cozy and use low flame settings when frying or cooking foods with low moisture content.	
Do not heat empty 1.5 liter pot. Unit can overheat and be damaged.	

	WARNING
You can be seriously burned. Use extreme caution when heating liquids above 1 LITER, or when heating liquid foods. Boilover can result.	

3. Place 1.5 liter pot over lighted burner base and lower until pot rests on the pot support. All four pot support fins should be **completely inside** the pot's FluxRing. **Cozy must not extend below bottom edge of pot in order to prevent singeing or burning.**

4. Place lid loosely on top of 1.5 liter pot during heating. Lid can also rest upside-down on top of 1.5 liter pot.

Do not leave unit unattended. Jetboil GCS heats liquids very rapidly and pot can boil dry if you are not watching.

Keep flammable materials at least 1 meter (3 feet) away from cooking unit to avoid ignition.

Do not place a windscreen or shield around Jetboil GCS. The fuel canister can overheat and explode.

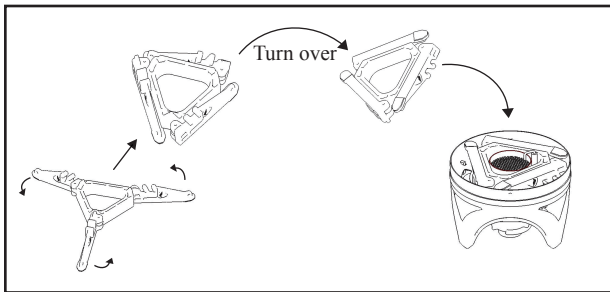
AFTER COOKING OR HEATING

1. Turn off control valve (tighten clockwise) to extinguish flame and to prevent gas leak.
2. Lift 1.5 liter cooking pot off of pot support. **Do not touch exposed metal; it will be hot**
3. Replace plastic cover on base of 1.5 liter pot to prevent burns and protect FluxRing™ fins.
4. If you plan to reuse Jetboil® GCS soon, leave pot support, burner base, fuel canister, and stabilizer assembled and on a level surface.

STOWING

Allow Jetboil GCS to cool before touching exposed metal parts

1. Clean and dry pot. Do not machine wash. Replace plastic bottom cover to protect FluxRing fins.
2. After metal parts have cooled, remove pot support from the burner base, and fold each fin 90 degrees counter-clockwise for storage.
3. Detach stabilizer from bottom of fuel canister. Fold stabilizer legs to completely closed position.
4. Unscrew fuel canister from burner base, replace plastic fuel canister cap, and keep canister away from heat, direct sunlight, and sources of ignition.
5. The folded stabilizer is stowed upside-down around the burner head inside the Jetboil GCS burner base, as shown below.



6. Stow burner base, containing stowed stabilizer, in 1.5 liter cooking pot. Place fuel canister, with attached cap, on its side next to burner base, with cap facing the side of the pot.
7. Place pot support in 1.5 liter pot in the space next to fuel canister and burner base.
8. Snap lid into place.



Top and angled view of completely stowed system

COMPATIBILITY

1. Jetboil GCS is compatible with nearly all of your other pots and pans. Follow these instructions, but replace the 1.5 liter pot with your favorite flat-bottomed pot, kettle, or frying pan. **Cooking vessels should not exceed 23 cm (9 in) diameter or 3 kg (6.5 lb).**
2. 1.5 liter pot is compatible with existing Jetboil burner bases when used with Jetboil Pot Support and Stabilizer.
3. Jetboil GCS is also compatible with Jetboil PCS Companion Cups and other accessories which may supplement your cooking system. Check out www.jetboil.com for the full product line.



TROUBLESHOOTING

Problem: Fuel canister does not attach to burner base

- Cause:** Using an unknown fuel canister or mixture
Solution: Use only JETPOWER fuel
- Cause:** Threads on fuel canister are damaged
Solution: Replace with new fuel canister
- Cause:** Threads on valve assembly damaged
Solution: Contact dealer or Jetboil

Problem: Leaking fuel

- Cause:** Control valve not closed
Solution: Firmly close control valve
- Cause:** Fuel canister not screwed on tightly
Solution: Screw canister securely to burner base. Do not overtighten.
- Cause:** O-rings are damaged
Solution: Contact dealer or Jetboil
- Cause:** Valve assembly damaged
Solution: Contact dealer or Jetboil

Problem: Stove does not ignite

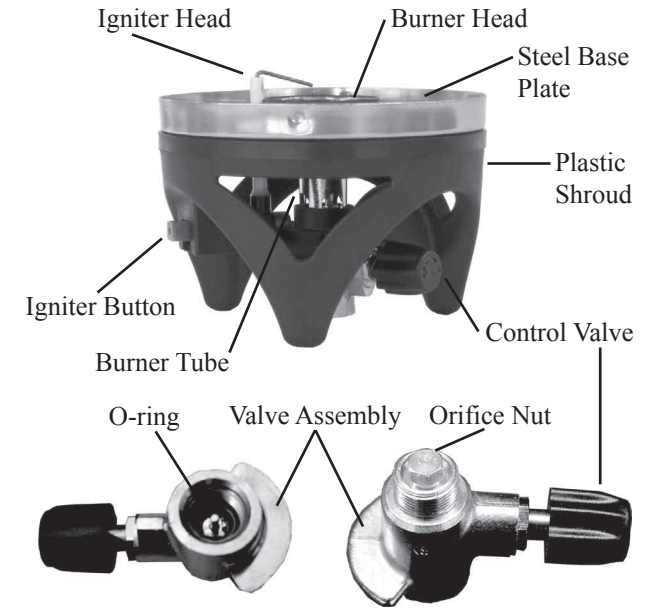
- Cause:** Insufficient fuel remaining in canister
Solution: Replace with new fuel canister
- Cause:** Too cold for normal operation
Solution: In very cold temperatures, fuel may not vaporize. Warm fuel canister with hands and do not place on snow or ice.
- Cause:** Igniter is not sparking
Solution: Make fine adjustments to igniter head with pliers so that spark lands inside burner head. Remove any debris between igniter base and burner tube. If spark cannot be established, replace with new igniter or use matches or a lighter.
- Cause:** Burner orifice is clogged
Solution: Turn off control valve and detach fuel cartridge. Unscrew burner head from valve assembly and remove valve assembly. Carefully remove steel base plate and burner head from plastic shroud, taking care not to damage igniter. Use hexagonal hole in base plate as a wrench to unscrew the hexagonal brass orifice nut from top of valve assembly. Clean out the orifice by blowing through the small hole from the front. Do not use a pin or sharp object to clear the obstruction, as it is very easy to damage the hole and make the appliance unsafe. After cleaning the orifice, reassemble the burner base and check for leaks.

Problem: Stove flares

- Cause:** Jetboil GCS was moved during operation
Solution: DO NOT shake or tilt stove while in operation.
- Cause:** Using an unknown fuel canister or mixture
Solution: Use only JETPOWER fuel canisters

Problem: Flame does not extinguish

- Cause:** Burner is damaged
Solution: Tighten valve as much as possible, blow out flame, and immediately detach fuel canister. Contact dealer or Jetboil.



LIMITED WARRANTY

Jetboil GCS has a 1 year limited warranty. Should this product not function properly under normal use within 1 year of purchase, contact the dealer or Jetboil for return process information. Jetboil alone will determine if the problem is covered by this warranty. If so, Jetboil will repair or replace the unit at its discretion and return it to you free of charge.

This warranty does not cover any damage or malfunction arising from misuse, improper maintenance, negligence, normal wear and tear, accident, or use other than as described in these instructions.

This warranty applies only to the original purchaser. Proof of purchase is required.

EXCEPT AS PROVIDED HEREIN, THERE ARE NO OTHER WARRANTIES, EXPRESS OR IMPLIED, INCLUDING BUT NOT LIMITED TO THE IMPLIED WARRANTIES OF MERCHANTABILITY AND FITNESS FOR A PARTICULAR PURPOSE.

JETBOIL SHALL NOT BE LIABLE FOR ANY CONSEQUENTIAL OR INCIDENTAL DAMAGES WHATSOEVER.

This warranty gives you specific legal rights. You may also have other rights that vary from state to state. Some states do not allow the exclusion or limitation of incidental or consequential damages, or limitation or exclusion of implied warranties, so the above exclusions or limitations may not apply to you.

Jetboil, Inc.
540 North Commercial Street
Manchester, NH 03101 USA
(888) 611-9905
info@jetboil.com



For recipes and tips check out

www.jetboil.com